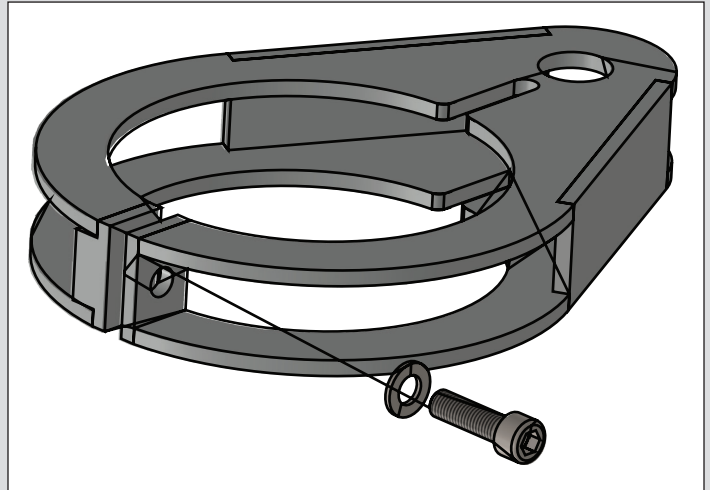
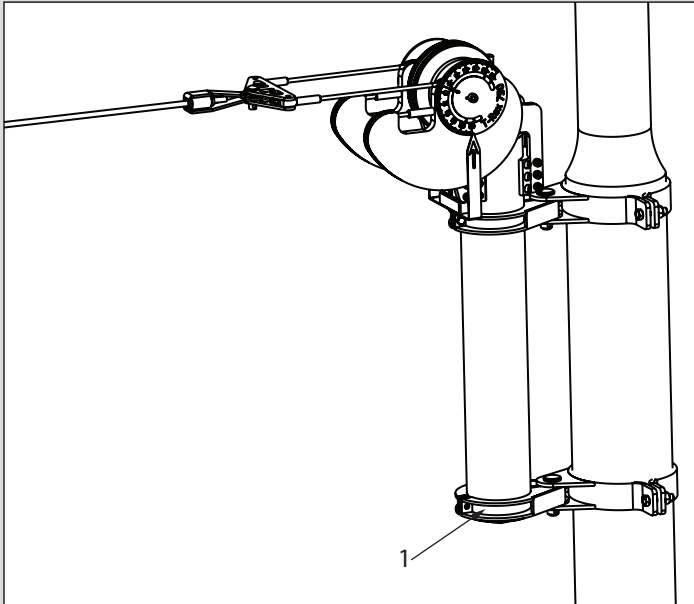


Spring Tensioning Device

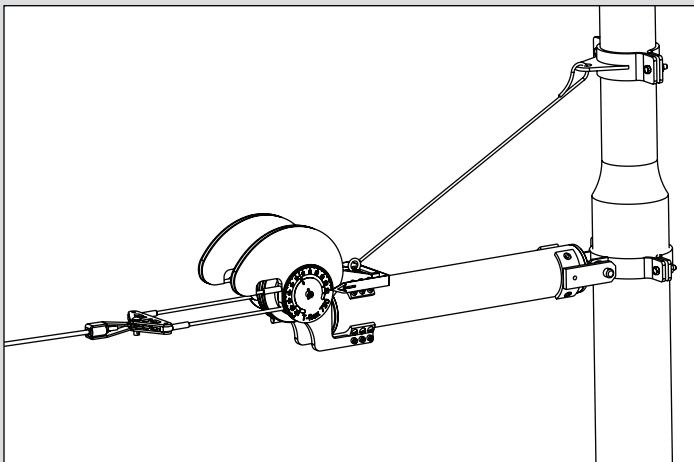
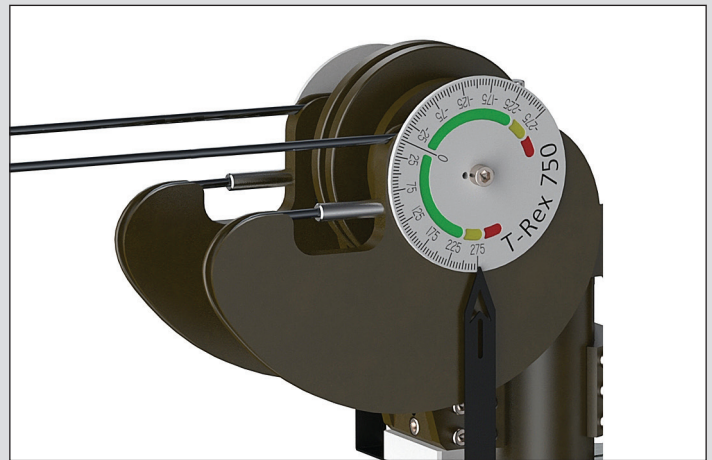
The **Automatic Spring Tensioning Device** is made to replace the cables, pulleys and counterweights associated with contact wire tensioning. The device pulls to 750 kg / 1,653 lb. and functions reliably in a wide range of temperatures and weather conditions. The device comes equipped with hardware for either vertical or horizontal mounting as required.



Cylinder Clamp



Vertical Mount
1: Cylinder Clamp



Horizontal Mount

Functionality based upon seasonal temperature variation and distance between support poles

Seasonal Temperature Variation (°F)

	72	90	108	126	144	+ Yes x No
984	+	+	+	+	+	
1,311	+	+	+	+	+	
1,641	+	+	+	x	x	
1,968	+	+	x	x	x	
2,298	+	x	x	x	x	

Contact Wire Length (feet)

westernsierras
Supplying rail parts proven worldwide

Western Sierras, Inc.
314 North Park Street
Reno, NV 89512

☎ (775) 324-2577
☎ (775) 786-6098
@ info@westernsierras.com
🌐 www.westernsierras.com