

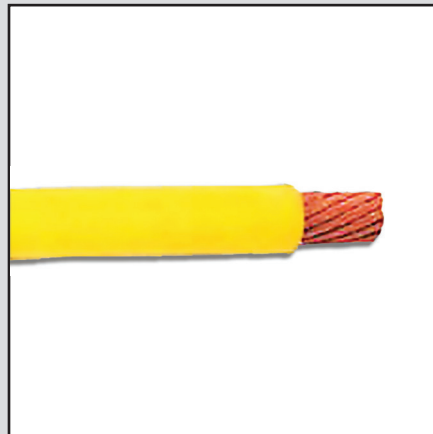
Cable clamp



Description	Clamping range	Continuous current	Tested short circuit withstand	Weight each
1" Bronze "C" clamp	0.162" - 1.125" [4.1 mm - 28.6 mm dia.]	400 RMS amps, 60 Hz	43 kA/250 ms	1.9 lb [0.9 kg]

Other clamp options available; call for more information

Cable



Description	Strand Diameter	Diameter w/jacket	Continuous current	Tested short circuit withstand	Weight/ft.
1/0 - 1064 W	0.45" [11.4 mm]	0.62" [15.7 mm]	250 RMS Amps, 60 Hz	21 kA/250 mS	0.49 lb. [0.22 kg]

Standard cable length: 30' or specify custom length on order form.
Other wire sizes available; call for more information.

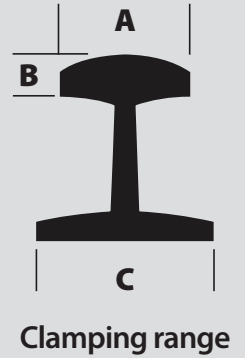
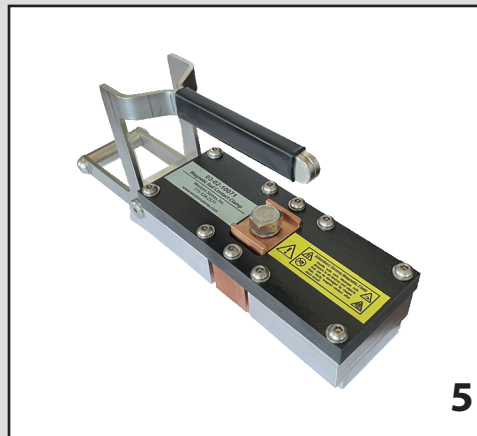
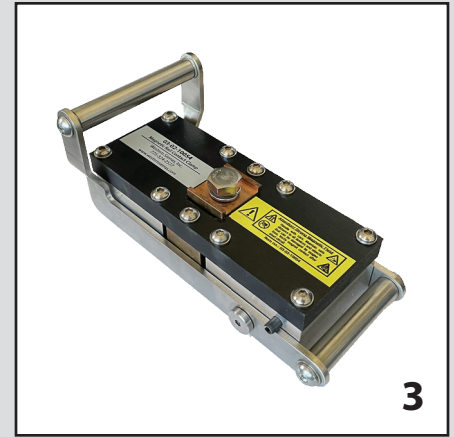
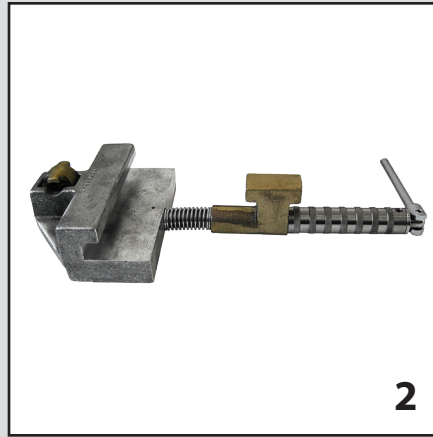
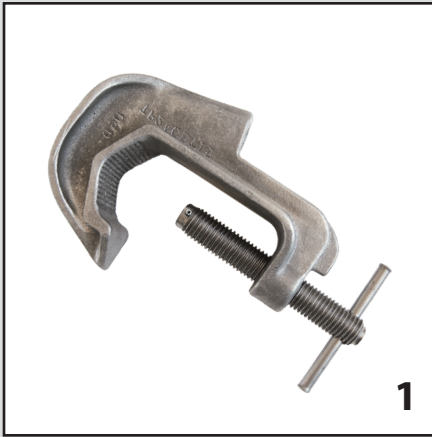
See rail clamp specifications on reverse

westernsierras
Supplying rail parts proven worldwide

Western Sierras, Inc.
314 North Park Street
Reno, NV 89512

☎ (775) 324-2577
☎ (775) 786-6098
@ info@westernsierras.com
🌐 www.westernsierras.com

Rail clamp specifications



#	Description	Clamping range			Tested circuit withstand
		A	B	C	
1	Top of rail clamp	1.5 - 3.4" [38 - 86 mm]	1.15 - 2.00" [29 - 51 mm]	--N/A--	43 kA/250 ms
2	Running rail / under clamp w/pivot handle	--N/A--	--N/A--	4.00 - 6.75" [102 - 171 mm]	43 kA/250 ms
3	Isolated magnet	--N/A--	--N/A--	--N/A--	21 kA/500 ms
4	Magnet	--N/A--	--N/A--	--N/A--	16.8 kA/652 ms
5	Top/side rail isolated magnet	--N/A--	--N/A--	--N/A--	21 kA/250 ms

See cable clamp/cable specifications on reverse

westernsierras
Supplying rail parts proven worldwide

Western Sierras, Inc.
314 North Park Street
Reno, NV 89512

☎ (775) 324-2577
☎ (775) 786-6098
@ info@westernsierras.com
🌐 www.westernsierras.com